



Value Electronics
Authorized Dealer

www.ValueElectronics.com

DLA-NX9

8K e-shift Home Theater Projector

8K
e-shift

GO FURTHER, BE THE FIRST

World's First 8K e-shift Home Theater Projector



The all new DLA-NX9 is the world's first 8K e-shift home theater projector capable of 8192 x 4320 image resolution. This premium, custom install projector is built with hand-selected components featuring a high resolution 100 mm diameter, 18-element, 16-group all glass lens with full aluminum lens barrel. Coupled with the new 0.69 inch 4K D-ILA device the DLA-NX9 delivers the sharpest home theater image available today.

KEY FEATURES

- 8K e-shift yields 8192 x 4320 projected image
- New 0.69 inch Native 4K D-ILA Devices (x3)
- 2,200 Lumens with High Power Lamp (PK-L2618U)
- 100,000:1 Native Contrast Ratio
- 100 mm All Glass Lens
- Built with Hand Selected Components
- Two 18Gbps HDMI/HDCP 2.2 Compatible Inputs
- THX® 4K Certified (*pending final approval*)
- ISF (Imaging Science Foundation) Licensed
- HDR10 Compatibility with Auto Tone Mapping
- Wide Color Gamut (Over 100% DCI P3)
- Improved Clear Motion Drive w/Motion Enhance
- Improved Multiple Pixel Control (MPC) — MPC works with 4K60P (4:4:4) signals
- Low Latency Mode improves picture, speeds operation, and reduces gaming/PC frame delays
- New Installation Mode simplifies setup and memorizes up to 10 customizable picture preferences
- Control: Control4 SDDP / LAN / RS-232C / IR / 12V Screen Trigger Output / 3D Sync Output
- 3 Year Advanced Replacement Warranty

Precision



8K e-shift 8K e-shift Technology

JVC's proprietary 8K e-shift technology reproduces image quality beyond 4K. It works by shifting pixels diagonally 0.5 pixel — quadrupling the picture resolution. Together with the new Native 4K D-ILA devices, the projector is able to realize 8K image resolution of over 35 million pixels. (8K signal input is not supported.)



D-ILA New 0.69 Native 4K D-ILA Devices

JVC's new 0.69 inch Native 4K D-ILA Device provides the sharpest home theater image available in the market. The Native 4K D-ILA device with 3.8µm pixel pitch exceeds 4 times Full HD resolution, displaying over 8.8 million pixels (4096 x 2160 pixels). With original vertical orientation technology and a planarization technique that reduces light scattering and light diffraction, the device realizes a very high native contrast ratio for a unique, Native 4K image. The result is smooth images without visible pixels even on very large screens.

An Incredible Lens Goes Further, to 8K

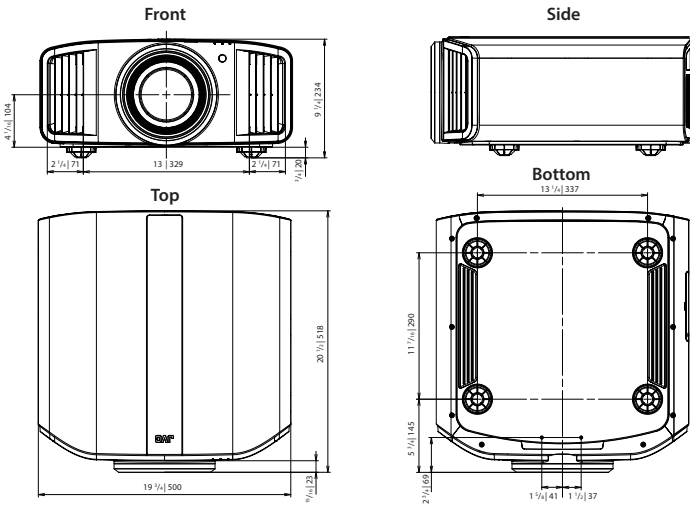
The DLA-NX9 is equipped with a high resolution 18 element, 16 group all glass lens with full aluminum lens barrel. To ensure high resolution to every corner of the screen and ensuring a wide shift range of +/-100% vertical, +/-43% horizontal a 100mm diameter lens has been selected. Five special low dispersion lens accommodate the different refractive index of Red, Green and Blue to suppress chromatic aberration, color bleeding etc., faithfully reproducing 8K resolution.



4K Anamorphic Scaling

This projector is compatible with commercially available anamorphic lenses and ultra-wide format screens for an immersive movie theater experience. It also features a new scaling mode that is optimized for the full native 4096 x 2160 (17 x 9) resolution of the D-ILA device.

External Dimensions (unit: inches/mm)



• The projector is equipped with a new super-high pressure mercury lamp, which may break, emitting a loud noise, when it is subjected to shock or after it has been used for some length of time. • Please note that, depending on how the projector is used, there can be considerable difference between individual lamps regarding how many hours they will operate before requiring replacement. • An additional payment is required for installation of a new lamp, if necessary. • The projector lamp requires periodic replacement and is not covered by the projector's warranty. • The lamp warranty is one year or 1000 hours, whichever comes first. • Please be aware that, because the D-ILA device is manufactured using highly advanced technologies, 0.01% or fewer of the pixels may be non-performing (always on or off). • Design and specifications are subject to change without notice. • All pictures on this brochure are simulated. • HDMI, the HDMI logo and High-Definition Multimedia Interface are registered trademarks of HDMI Licensing LLC. • All other brand or product names may be trademarks and/or registered trademarks of their respective owners. • Any rights not expressly granted herein are reserved.

Copyright © 2018, JVCKENWOOD Corporation. All Rights Reserved.

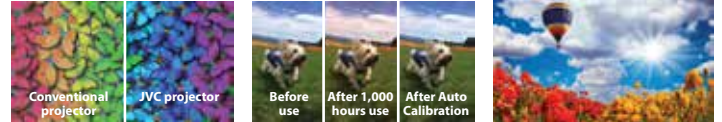
HDR HDR compatibility w/Auto Tone Mapping

The DLA-NX9 is compatible with HDR10 for content such as UHD Blu-ray and HLG (Hybrid Log-Gamma) content adopted in broadcasting. It is also equipped with a new feature, "Auto Tone Mapping" that automatically adjusts settings based on the mastering information included in HDR content. This feature enables different HDR images to be viewed optimally for specific content.



Superior Color Performance and Contrast

JVC's latest lineup of projectors incorporate many functions that enhance the color, brightness and contrast performance.



Cinema Filter helps the projector achieve a wide color gamut beyond DCI-P3 as well as BT.709 for exceptionally rich colors

Auto Calibration optimizes image quality under various installation conditions and also compensates for the changing color balance in long-term projector usage

Vibrant and dynamic imagery comes from the ultra-high pressure mercury lamp, highly efficient optical engine, luminance of 2,200 lm and narrow pixel gap of the D-ILA device

Installation Mode

The DLA-NX9 is equipped with a new "Installation Mode" that saves and recalls up to 10 different combinations of lens settings for different aspect ratios, lens presets, convergence and screen masking positions.

Optional Equipment



Specifications

		DLA-NX9
Imaging device		0.69 in D-ILA Device (4096 × 2160) ×3
8K e-shift Technology		Yes
Resolution		8192 × 4320 Precision via 8K e-shift technology
Lens		2X Motorized 100 mm
Lens Shift		Motorized Shift±100% Vertical and ±43% Horizontal
Light Source		NSH 265W Lamp (Lamp life: approx. 4500 hours when the lamp is in Low mode)
Contrast Ratio		Native: 100,000:1 Dynamic: 1,000,000:1
Input Terminals	HDMI	2 (Full Speed 18Gbps HDMI/HDCP 2.2 Compatible w/HDR)
Output Terminals	3D Sync	1 (Mini DIN 3pin)
	Trigger	1 (Mini jack, DC12V/100mA)
Control Terminals	RS-232C	1 (D-sub 9pin)
	LAN (RJ-45)	1
Digital Video Signal		480p, 576p, 720p/50 Hz, 720p/60 Hz, 1080i/50 Hz, 1080i/60 Hz, 1080p/24 Hz, 1080p/50 Hz, 1080p/60 Hz, 3840x2160/24Hz, 3840x2160/25Hz, 3840x2160/30Hz, 3840x2160/50Hz*, 3840x2160/60Hz* 4096x2160/24Hz, 4096x2160/25Hz, 4096x2160/30Hz, 4096x2160/50Hz*, 4096x2160/60Hz*
3D Signal	Frame Packing	720p/50 Hz, 720p/60 Hz, 1080p/24 Hz
	Side-by-Side	1080i/60 Hz, 1080p/60 Hz, 1080i/50 Hz, 1080p/50 Hz, 1080p/24 Hz, 720p/50 Hz, 720p/60 Hz
	Top-and-Bottom	720p/50 Hz, 720p/60 Hz, 1080p/24 Hz
Dimensions (WxHxD-inches)		19 3/4 × 9 1/4 × 20 1/2
Weight (net) (lbs)		48

*When the color space is RGB/Y'CbCr(4:4:4), only 8-bit input is supported.