

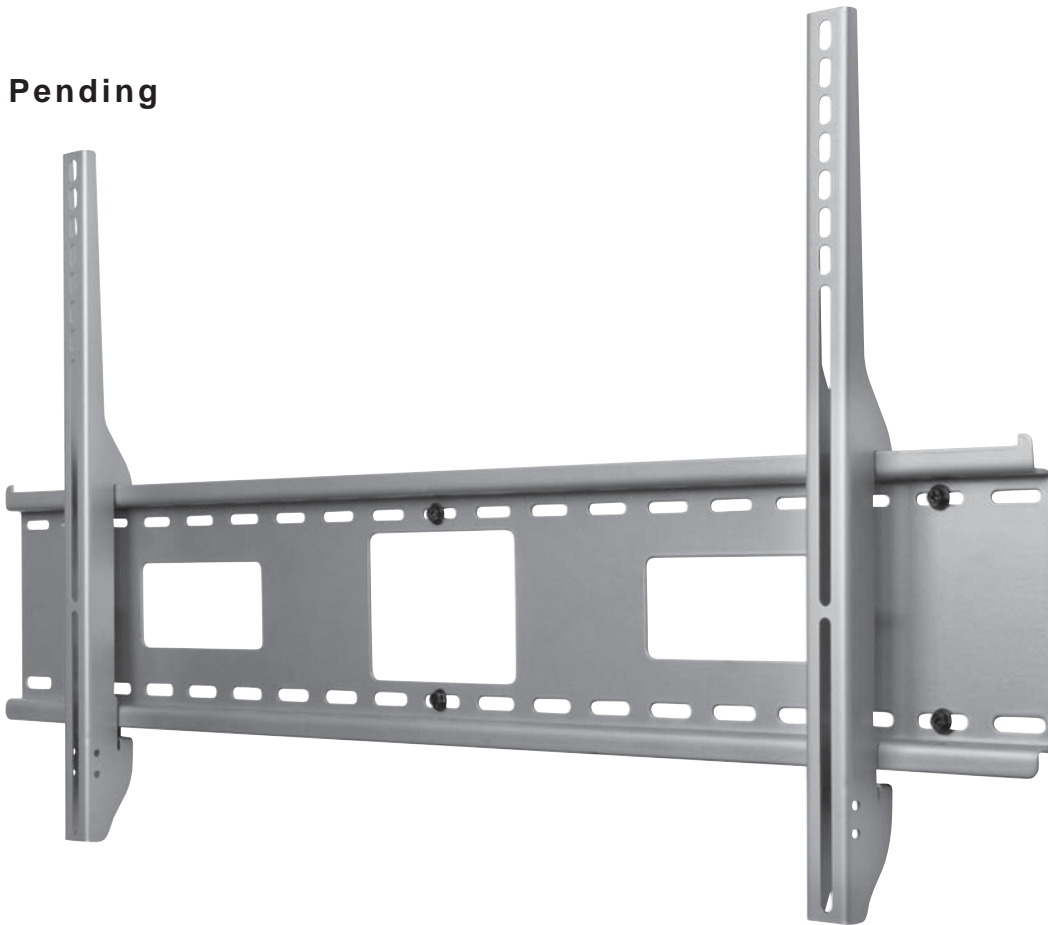
## SmartMount™

### Universal Flat Wall Mount

For 42" to 71" Plasma and LCD Flat Panel Screens

**NEW!**

Patent Pending



Ultra-slim design keeps flat panels tight to the wall, giving boardrooms, restaurants and bars or home theaters that pro look. This SmartMount comes with everything you need for a quick and easy install: flat panels engage with an audible click, simple to align universal brackets and an open-design wall plate allows easy access to junction boxes and cable management. Plus, the Peerless Sorted-For-You™ fastener pack eliminates guesswork during installation by making screen attachment hardware easy to find.

- Simple hook-on design makes install a snap
- Horizontal screen adjustment up to 12"
- Junction box access ports on wall plate
- Integrated security options available

**SF670, SF670-S  
SF670P, SF670P-S**



# SmartMount™

## Universal Flat Wall Mount

For 42" to 71" Plasma and LCD Flat Panel Screens

### Model Numbers

SF670, SF670-S (Security models)  
SF670P, SF670P-S (Standard models)

### Product Specifications

- Fits screens with mounting hole patterns up to 35.75" W and 19.80" H
- Ultra-slim design holds screen only 1.98" from the wall
- Easy-glide bracket design ensures screen is securely attached to wall plate
- Horizontal screen adjustment up to 12"
- Mounts to two or three wood studs, concrete, cinder block or metal studs (accessory required)
- Comes with Peerless' Sorted-For-You™ fastener pack with all necessary screen attachment hardware
- UL listed
- Comes in black or silver



Side View

### FEATURES

DIMENSIONS (W x H x D)

37.75" x 20.625" x 1.98" (95.9 x 52.4 x 5.03 cm)

LOAD CAPACITY

250 lb (113.4 kg)

PRODUCT WEIGHT

10.4 lb (4.7 kg)

FINISH

Scratch Resistant Fused Epoxy

AVAILABLE COLORS

Black: SF670, SF670P  
Silver: SF670-S, SF670P-S

ACCESSORIES

6 pc. Metal Stud Fastener Kit (ACC615)  
Video Conferencing Shelf (ACC309)  
Accessory Shelves (PM600, PM610)

PATENT

Patent Pending

### PACKAGE CONTENTS

Wall mount, universal brackets and mounting hardware

UNITS IN PACKAGE

1

PACKAGE SIZE (L x W x H)

46.75" x 8.63" x 3.88" (118.7 x 21.9 x 9.9 cm)

PACKAGE SHIP WEIGHT

13.6 lb (6.2 kg)

PACKAGE UPC CODE

SF670: 735029242192  
SF670P: 735029242208  
SF670-S: 735029242215  
SF670P-S: 735029242222

WARRANTY

Limited 5-year

(800) 865-2112  
www.peerlessmounts.com

Peerless Industries, Inc.  
3215 W. North Avenue, Melrose Park, IL 60160  
(708) 865-8870 or (800) 865-2112 Fax: (708) 865-2941 www.peerlessmounts.com



LIT-0142 Rev.1

© 2006 Peerless Industries, Inc. All rights reserved.  
SmartMount is a trademark and Peerless is a registered trademark of Peerless Industries, Inc.  
All other brands, product names and taglines are trademarks or registered trademarks of their respective owners.